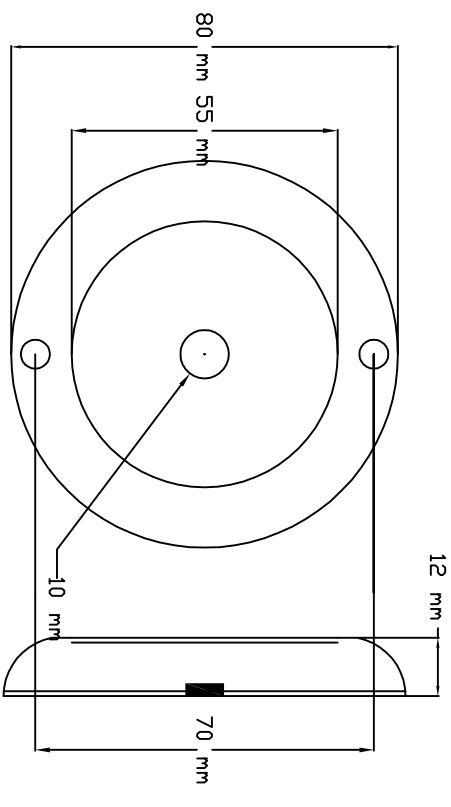
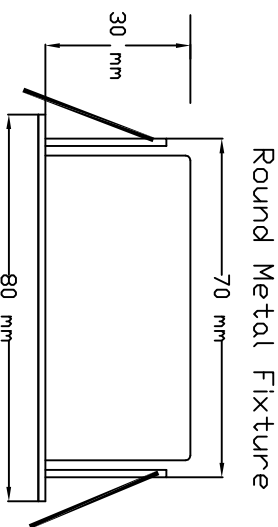
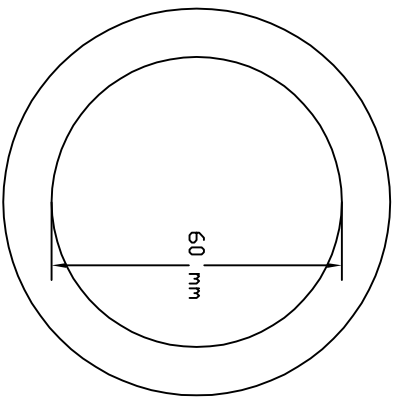
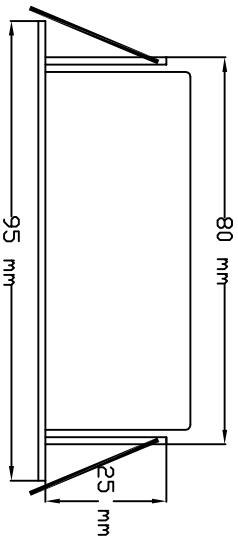
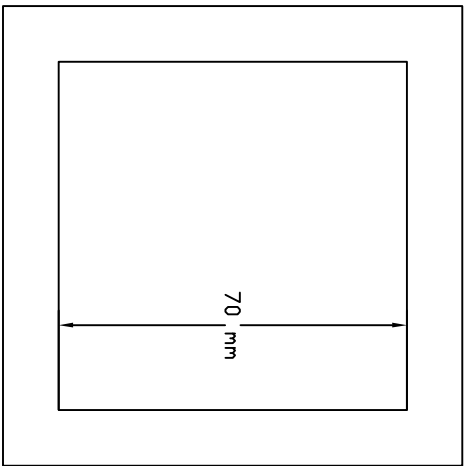


# DynaVision Mechanical Drawing for Fixture



SQ Metal Fixture



Plastic Round Fixture



Bulb A

